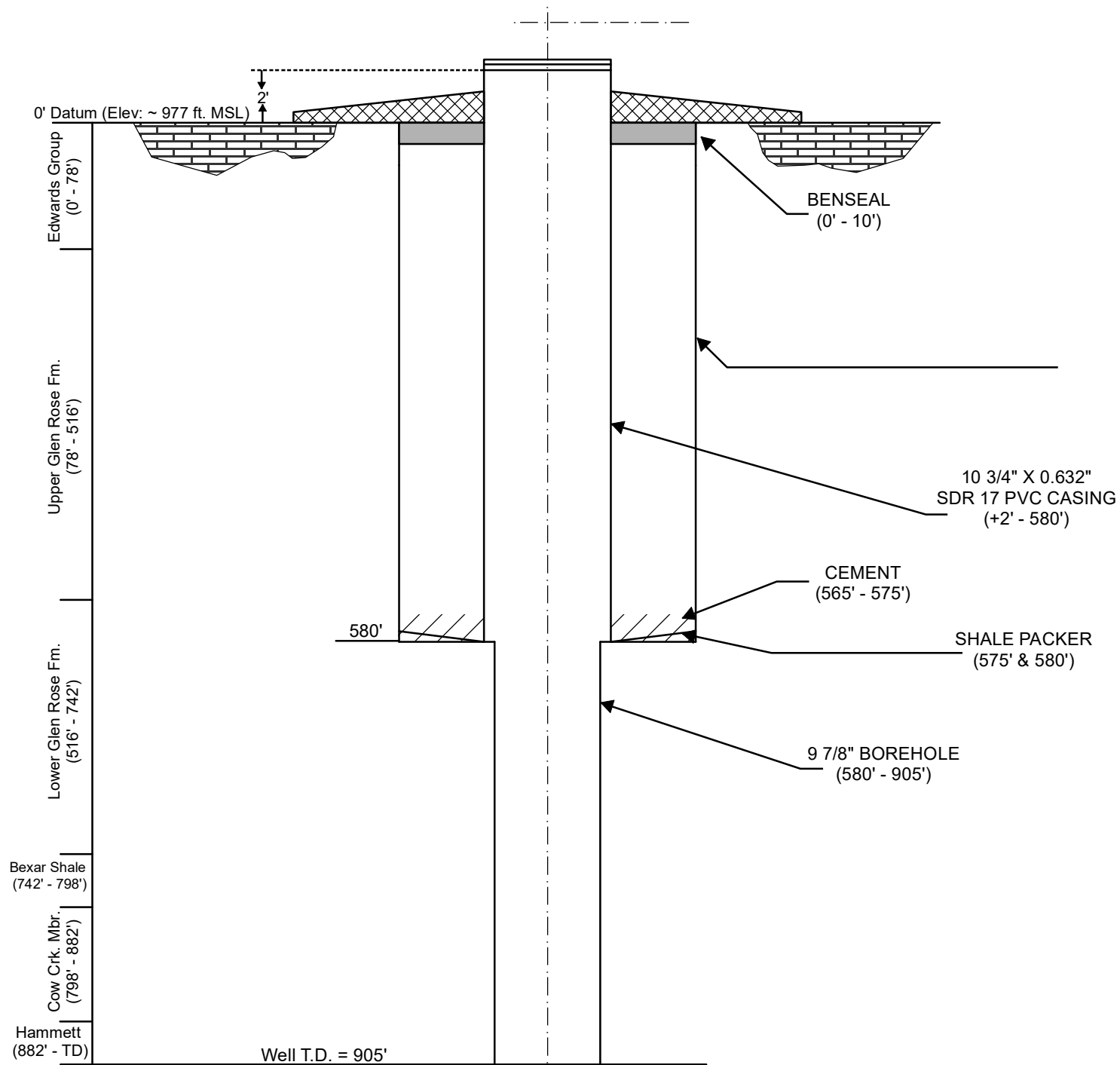
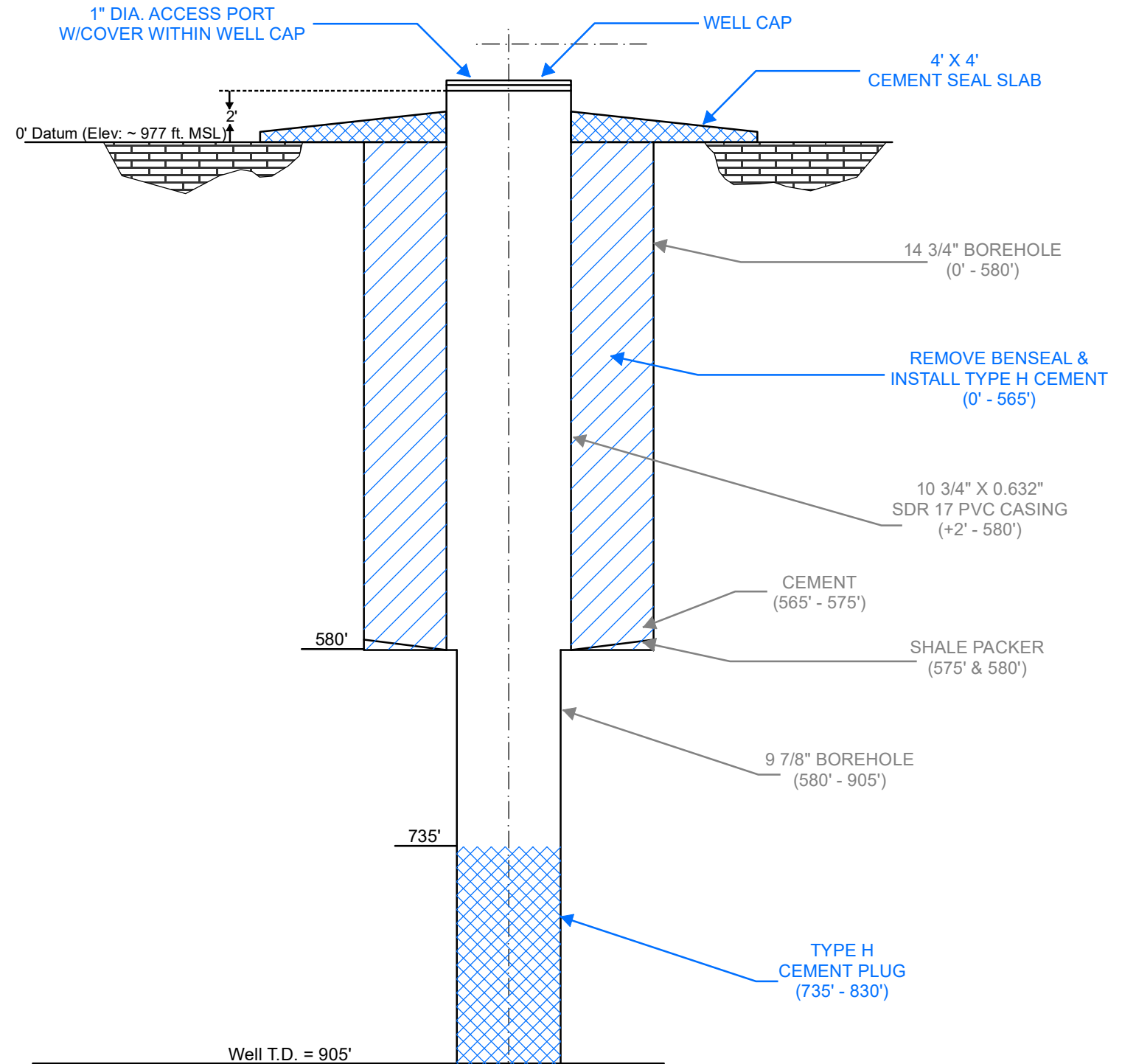


Existing Well Profile



Proposed Improvements



Notes:

1. Well profile based upon State Well Report (Tracking # 388365).
2. The well shall be properly capped with a water tight covering capable of sustaining weight of at least 400 pounds and constructed in such a way that the covering cannot be easily removed by hand except when the well is in actual use.
3. Estimated volume of Type H cement to be used for cementing casing in place is 315 cubic feet. Estimated volume of Type H cement to be used for plugging 9 7/8-inch borehole is 51 cubic feet.

| |
|-------------------------------|
| SCALE: NONE |
| APPROVED BY: KK DATE: 5-14-19 |
| REVISED BY: DATE: |
| DRAWING NO: W-4 |
| SHEET: 4 OF 7 |

| | |
|---|---|
| Well Profile: Bridges Well No. 4 | |
| Electro Purification, LLC Hays County, Texas | |
|  | Wet Rock Groundwater Services, LLC Groundwater Specialists TBPG Firm No: 50038 317 Ranch Road 620 South, Suite 203 Austin, Texas 78734 Ph: 512.773.3226 www.wetrockgs.com |